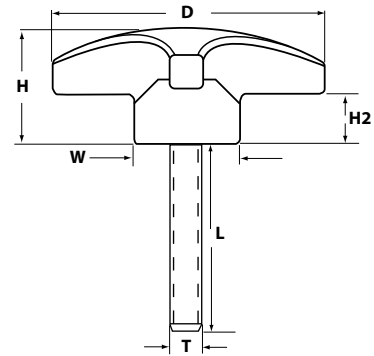




**6 Lobe Knob  
Steel Stud - Phenolic**

These high quality phenolic 6 lobe threaded stud knobs are offered with a trivalent zinc plated steel stud. They have highly polished smooth surfaces and do not show a parting line. Very sturdy and attractive for any industrial or commercial application.



**6 LOBE KNOB WITH STEEL STUD - PHENOLIC**

P/N	Dia.	Height	Width	H2	Thread	Length
IL271-4MX1	2	1-3/16	1	5/8	1/4-20	1
IL271-5MX3/4	2	1-3/16	1	5/8	5/16-18	3/4
IL271-5MX1	2	1-3/16	1	5/8	5/16-18	1
IL271-5MX1-1/2	2	1-3/16	1	5/8	5/16-18	1-1/2
IL271-6MX3/4	2	1-3/16	1	5/8	3/8-16	3/4
IL271-6MX1	2	1-3/16	1	5/8	3/8-16	1
IL271-6MX1-1/2	2	1-3/16	1	5/8	3/8-16	1-1/2
IL271-6MX2	2	1-3/16	1	5/8	3/8-16	2
IL271-7MX1	2	1-3/16	1	5/8	1/2-13	1
IL271-7MX2	2	1-3/16	1	5/8	1/2-13	2
IL271-8MX1	2	1-3/16	1	5/8	5/8-11	1
IL271-8MX2	2	1-3/16	1	5/8	5/8-11	2
IL272-5MX3/4	2-1/2	1-3/8	1-3/32	3/4	5/16-18	3/4
IL272-5MX1	2-1/2	1-3/8	1-3/32	3/4	5/16-18	1
IL272-5MX1-1/2	2-1/2	1-3/8	1-3/32	3/4	5/16-18	1-1/2
IL272-6MX1	2-1/2	1-3/8	1-3/32	3/4	3/8-16	1
IL272-6MX1-1/2	2-1/2	1-3/8	1-3/32	3/4	3/8-16	1-1/2
IL272-6MX2	2-1/2	1-3/8	1-3/32	3/4	3/8-16	2
IL272-7MX1	2-1/2	1-3/8	1-3/32	3/4	1/2-13	1
IL272-7MX2	2-1/2	1-3/8	1-3/32	3/4	1/2-13	2
IL272-8MX1	2-1/2	1-3/8	1-3/32	3/4	5/8-11	1
IL272-8MX2	2-1/2	1-3/8	1-3/32	3/4	5/8-11	2
IL273-5MX1	3-1/8	2-3/16	1-1/4	1-1/4	5/16-18	1
IL273-5MX1-1/2	3-1/8	2-3/16	1-1/4	1-1/4	5/16-18	1-1/2
IL273-6MX1	3-1/8	2-3/16	1-1/4	1-1/4	3/8-16	1
IL273-6MX1-1/2	3-1/8	2-3/16	1-1/4	1-1/4	3/8-16	1-1/2
IL273-6MX2	3-1/8	2-3/16	1-1/4	1-1/4	3/8-16	2
IL273-7MX2	3-1/8	2-3/16	1-1/4	1-1/4	1/2-13	2
IL273-8MX1	3-1/8	2-3/16	1-1/4	1-1/4	5/8-11	1
IL273-8MX2	3-1/8	2-3/16	1-1/4	1-1/4	5/8-11	2