

**POLY BASE FIXED STUD GLIDES**

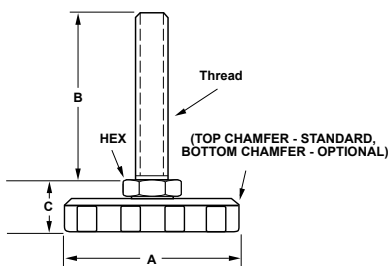
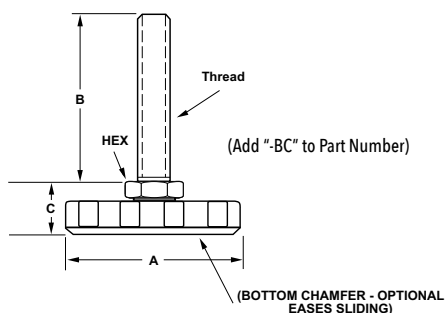
The IEC Poly Base Steel and Stainless Steel Fixed Stud Glide is ideal for medium-duty load requirements. The stud will tilt several degrees under load to compensate for unlevel surfaces. Cost-effective for applications not requiring a swivel base. Zinc plated steel stud and black polypropylene base, 3/8" thick. Four base sizes to choose from (1" to 3"). Many sizes available with Top-A-Just™ top-end external hex (-HX). You may also request top broached hex, allen drive (-BR)



Top-A-Just™(-BR)



Top-A-Just™(-HX)

**Optional bottom chamfer (reverse assembly) – with 90° top edge**

Steel	SS	Load	Thread	Hex	A	B	C
<b>Poly Base Steel and Stainless Steel Fixed Stud Glides</b>							
IL7-4Bx1/2	IL7-4BSx1/2	100	1/4-20	1/2	1	1/2	11/16
IL7-4Bx1	IL7-4BSx1	100	1/4-20	1/2	1	1	11/16
IL7-4B	IL7-4BS	100	1/4-20	1/2	1	1-9/16	11/16
IL7-4Bx2-HX	IL7-4BSx2-HX	100	1/4-20	1/2	1	2	11/16
IL7-4Bx2.5	IL7-4BSx2.5	100	1/4-20	1/2	1	2-1/2	11/16
IL7-5Bx3/4	IL7-5BSx3/4	500	5/16-18	1/2	1	3/4	11/16
IL7-5Bx1.5-HX	IL7-5BSx1.5-HX	500	5/16-18	1/2	1	1-1/2	11/16
IL7-5B	IL7-5BS	500	5/16-18	1/2	1	1-9/16	11/16
IL7-5Bx2.5-HX	IL7-5BSx2.5-HX	500	5/16-18	1/2	1	2-1/2	11/16
IL7-5Bx3	IL7-5BSx3	500	5/16-18	1/2	1	3	11/16
IL7-5Bx4	IL7-5BSx4	500	5/16-18	1/2	1	4	11/16
IL7-6Bx3/4	IL7-6BSx3/4	1000	3/8-16	1/2	1	3/4	11/16
IL7-6Bx1.5-HX	IL7-6BSx1.5-HX	1000	3/8-16	1/2	1	1-1/2	11/16
IL7-6B	IL7-6BS	1000	3/8-16	1/2	1	1-9/16	11/16
IL7-6Bx1	IL7-6BSx1	1000	3/8-16	1/2	1	1	11/16
IL7-6Bx2	IL7-6BSx2	1000	3/8-16	1/2	1	2	11/16
IL7-6Bx2-HX	IL7-6BSx2-HX	1000	3/8-16	1/2	1	2	11/16
IL7-6Bx3	IL7-6BSx3	1000	3/8-16	1/2	1	3	11/16
IL7-6Bx3-HX	IL7-6BSx3-HX	1000	3/8-16	1/2	1	3	11/16
IL7-6Bx4	IL7-6BSx4	1000	3/8-16	1/2	1	4	11/16
IL7-6Bx4.5-HX	IL7-6BSx4.5-HX	1000	3/8-16	1/2	1	4-1/2	11/16
IL7-6Bx6-HX	IL7-6BSx6-HX	1000	3/8-16	1/2	1	6	11/16
IL7-6FBx1	IL7-6FBSx1	1000	3/8-24	1/2	1	1	11/16
IL7-6FBx2	IL7-6FBSx2	1000	3/8-24	1/2	1	2	11/16
IL7-7B	IL7-7BS	2000	1/2-13	1/2	1	1-9/16	11/16
IL7-7Bx2	IL7-7BSx2	2000	1/2-13	1/2	1	2	11/16
IL7-7Bx2-HX	IL7-7BSx2-HX	2000	1/2-13	1/2	1	2	11/16
IL7-7Bx2.5-HX	IL7-7BSx2.5-HX	2000	1/2-13	1/2	1	2-1/2	11/16
IL7-7Bx3	IL7-7BSx3	2000	1/2-13	1/2	1	3	11/16
IL7-7Bx3-HX	IL7-7BSx3-HX	2000	1/2-13	1/2	1	3	11/16
IL7-7Bx3.5-HX	IL7-7BSx3.5-HX	2000	1/2-13	1/2	1	3-1/2	11/16
IL7-7Bx4	IL7-7BSx4	2000	1/2-13	1/2	1	4	11/16
IL7-7Bx4-HX	IL7-7BSx4-HX	2000	1/2-13	1/2	1	4	11/16
IL7-7Bx5	IL7-7BSx5	2000	1/2-13	1/2	1	5	11/16
IL7-7Bx5-HX	IL7-7BSx5-HX	2000	1/2-13	1/2	1	5	11/16
IL7-7Bx6-HX	IL7-7BSx6-HX	1500	1/2-13	1/2	1	6	11/16
IL7-7Bx8-HX	IL7-7BSx8-HX	1000	1/2-13	1/2	1	8	11/16
IL7-7FBx1	IL7-7FBSx1	2000	1/2-20	1/2	1	1	11/16
IL7-7FBx2	IL7-7FBSx2	2000	1/2-20	1/2	1	2	11/16
IL7-7FBx4	IL7-7FBSx4	2000	1/2-20	1/2	1	4	11/16
IL7-8B	IL7-8BS	2500	5/8-11	5/8	1	1-9/16	11/16
IL7-8Bx3	IL7-8BSx3	2500	5/8-11	5/8	1	3	11/16
IL7-8Bx4	IL7-8BSx4	2500	5/8-11	5/8	1	4	11/16
IL7-8Bx5	IL7-8BSx5	2500	5/8-11	5/8	1	5	11/16
IL7-9B	IL7-9BS	3000	3/4-10	3/4	1	1-9/16	11/16
IL7-9Bx3	IL7-9BSx3	3000	3/4-10	3/4	1	3	11/16
IL7-9Bx4	IL7-9BSx4	3000	3/4-10	3/4	1	4	11/16
IL8-4Bx1/2	IL8-4BSx1/2	100	1/4-20	1/2	1-1/2	1/2	11/16
IL8-4Bx1	IL8-4BSx1	100	1/4-20	1/2	1-1/2	1	11/16
IL8-4B	IL8-4BS	100	1/4-20	1/2	1-1/2	1-9/16	11/16
IL8-4Bx2-HX	IL8-4BSx2-HX	100	1/4-20	1/2	1-1/2	2	11/16
IL8-4Bx2.5	IL8-4BSx2.5	100	1/4-20	1/2	1-1/2	2-1/2	11/16
IL8-5Bx3/4	IL8-5BSx3/4.5	100	1/4-20	1/2	1-1/2	3/4	11/16
IL8-5Bx3/4	IL8-5BSx1.5-HX	500	5/16-18	1/2	1-1/2	3/4	11/16
IL8-5Bx1.5-HX	IL8-5BSx1.5-HX	500	5/16-18	1/2	1-1/2	1-1/2	11/16
IL8-5B	IL8-5BS	500	5/16-18	1/2	1-1/2	1-9/16	11/16
IL8-5Bx2.5-HX	IL8-5BSx2.5-HX	500	5/16-18	1/2	1-1/2	2-1/2	11/16
IL8-5Bx3	IL8-5BSx3	500	5/16-18	1/2	1-1/2	3	11/16
IL8-5Bx4	IL8-5BSx4	500	5/16-18	1/2	1-1/2	4	11/16
IL8-6Bx3/4	IL8-6BSx3/4	1000	3/8-16	1/2	1-1/2	3/4	11/16
IL8-6Bx1.5-HX	IL8-6BSx1.5-HX	1000	3/8-16	1/2	1-1/2	1-1/2	11/16
IL8-6B	IL8-6BS	1000	3/8-16	1/2	1-1/2	1-9/16	11/16
IL8-6Bx1	IL8-6BSx1	1000	3/8-16	1/2	1-1/2	1	11/16
IL8-6Bx2	IL8-6BSx2	1000	3/8-16	1/2	1-1/2	2	11/16
IL8-6Bx2-HX	IL8-6BSx2-HX	1000	3/8-16	1/2	1-1/2	2	11/16
IL8-6Bx3	IL8-6BSx3	1000	3/8-16	1/2	1-1/2	3	11/16
IL8-6Bx3-HX	IL8-6BSx3-HX	1000	3/8-16	1/2	1-1/2	3	11/16
IL8-6Bx4	IL8-6BSx4	1000	3/8-16	1/2	1-1/2	4	11/16
IL8-6Bx4.5-HX	IL8-6BSx4.5-HX	1000	3/8-16	1/2	1-1/2	4-1/2	11/16
IL8-6Bx6-HX	IL8-6BSx6-HX	1000	3/8-16	1/2	1-1/2	6	11/16
IL8-6FBx1	IL8-6FBSx1	1000	3/8-24	1/2	1-1/2	1	11/16
IL8-6FBx2	IL8-6FBSx2	1000	3/8-24	1/2	1-1/2	2	11/16
IL8-7B	IL8-7BS	2000	1/2-13	1/2	1-1/2	1-9/16	11/16
IL8-7Bx2	IL8-7BSx2	2000	1/2-13	1/2	1-1/2	2	11/16
IL8-7Bx2-HX	IL8-7BSx2-HX	2000	1/2-13	1/2	1-1/2	2	11/16
IL8-7Bx2.5-HX	IL8-7BSx2.5-HX	2000	1/2-13	1/2	1-1/2	2-1/2	11/16
IL8-7Bx3	IL8-7BSx3	2000	1/2-13	1/2	1-1/2	3	11/16
IL8-7Bx3-HX	IL8-7BSx3-HX	2000	1/2-13	1/2	1-1/2	3	11/16
IL8-7Bx3.5-HX	IL8-7BSx3.5-HX	2000	1/2-13	1/2	1-1/2	3-1/2	11/16
IL8-7Bx4	IL8-7BSx4	2000	1/2-13	1/2	1-1/2	4	11/16
IL8-7Bx4-HX	IL8-7BSx4-HX	2000	1/2-13	1/2	1-1/2	4	11/16
IL8-7Bx5	IL8-7BSx5	2000	1/2-13	1/2	1-1/2	5	11/16
IL8-7Bx5-HX	IL8-7BSx5-HX	2000	1/2-13	1/2	1-1/2	5	11/16
IL8-7Bx6-HX	IL8-7BSx6-HX	1500	1/2-13	1/2	1-1/2	6	11/16
IL8-7Bx8-HX	IL8-7BSx8-HX	1000	1/2-13	1/2	1-1/2	8	11/16



**INTERNATIONAL EQUIPMENT COMPONENTS, INC.**

Phone: 562.597.4533 eMail: sales@iec-corp.com

Web: www.levelingmounts.com | www.iec-corp.com

**MEDIUM-DUTY LEVELERS**

**POLY BASE FIXED STUD WITH RUBBER PAD**

**POLY BASE FIXED STUD GLIDES WITH RUBBER PAD**

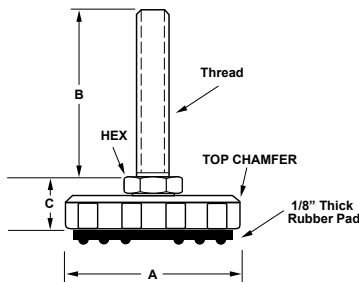
The IEC Poly Base Steel and Stainless Steel Fixed Stud Glide with Rubber Pad is ideal for medium-duty load requirements. The rubber pad provides a non-skid, surface protecting feature, while the stud tilts several degrees under load to compensate for unlevel surfaces. Cost-effective for applications not requiring a swivel base. Zinc plated steel stud and black polypropylene base, 3/8" thick. Four base sizes to choose from (1" to 3"). Many sizes available with Top-A-Just™ top-end external hex (-HX). You may also request top broached hex, allen drive (-BR).



Top-A-Just™ (-BR)



Top-A-Just™ (-HX)



Rubber Pad Bottom View

Steel	SS	Load	Thread	Hex	A	B	C
<b>Poly Base Steel and Stainless Steel Fixed Stud Glides</b>							
IL7-4Bx1/2-P	IL7-4BSx1/2-P	100	1/4-20	1/2	1	1/2	11/16
IL7-4Bx1-P	IL7-4BSx1-P	100	1/4-20	1/2	1	1	11/16
IL7-4B-P	IL7-4BS-P	100	1/4-20	1/2	1	1-9/16	11/16
IL7-4Bx2-HX-P	IL7-4BSx2-HX-P	100	1/4-20	1/2	1	2	11/16
IL7-4Bx25-P	IL7-4BSx25-P	100	1/4-20	1/2	1	2-1/2	11/16
IL7-5Bx3/4-P	IL7-5BSx3/4-P	500	5/16-18	1/2	1	3/4	11/16
IL7-5Bx15-HX-P	IL7-5BSx15-HX-P	500	5/16-18	1/2	1	1-1/2	11/16
IL7-5B-P	IL7-5BS-P	500	5/16-18	1/2	1	1-9/16	11/16
IL7-5Bx25-HX-P	IL7-5BSx25-HX-P	500	5/16-18	1/2	1	2-1/2	11/16
IL7-5Bx3-P	IL7-5BSx3-P	500	5/16-18	1/2	1	3	11/16
IL7-5Bx4-P	IL7-5BSx4-P	500	5/16-18	1/2	1	4	11/16
IL7-6Bx3/4-P	IL7-6BSx3/4-P	1000	3/8-16	1/2	1	3/4	11/16
IL7-6Bx15-HX-P	IL7-6BSx15-HX-P	1000	3/8-16	1/2	1	1-1/2	11/16
IL7-6B-P	IL7-6BS-P	1000	3/8-16	1/2	1	1-9/16	11/16
IL7-6Bx1-P	IL7-6BSx1-P	1000	3/8-16	1/2	1	1	11/16
IL7-6Bx2-P	IL7-6BSx2-P	1000	3/8-16	1/2	1	2	11/16
IL7-6Bx2-HX-P	IL7-6BSx2-HX-P	1000	3/8-16	1/2	1	2	11/16
IL7-6Bx3-P	IL7-6BSx3-P	1000	3/8-16	1/2	1	3	11/16
IL7-6Bx3-HX-P	IL7-6BSx3-HX-P	1000	3/8-16	1/2	1	3	11/16
IL7-6Bx4-P	IL7-6BSx4-P	1000	3/8-16	1/2	1	4	11/16
IL7-6Bx45-HX-P	IL7-6BSx45-HX-P	1000	3/8-16	1/2	1	4-1/2	11/16
IL7-6Bx6-HX-P	IL7-6BSx6-HX-P	1000	3/8-16	1/2	1	6	11/16
IL7-6FBx1-P	IL7-6FBSx1-P	1000	3/8-24	1/2	1	1	11/16
IL7-6FBx2-P	IL7-6FBSx2-P	1000	3/8-24	1/2	1	2	11/16
IL7-7B-P	IL7-7BS-P	2000	1/2-13	1/2	1	1-9/16	11/16
IL7-7Bx2-P	IL7-7BSx2-P	2000	1/2-13	1/2	1	2	11/16
IL7-7Bx2-HX-P	IL7-7BSx2-HX-P	2000	1/2-13	1/2	1	2	11/16
IL7-7Bx25-HX-P	IL7-7BSx25-HX-P	2000	1/2-13	1/2	1	2-1/2	11/16
IL7-7Bx3-P	IL7-7BSx3-P	2000	1/2-13	1/2	1	3	11/16
IL7-7Bx3-HX-P	IL7-7BSx3-HX-P	2000	1/2-13	1/2	1	3	11/16
IL7-7Bx35-HX-P	IL7-7BSx35-HX-P	2000	1/2-13	1/2	1	3-1/2	11/16
IL7-7Bx4-P	IL7-7BSx4-P	2000	1/2-13	1/2	1	4	11/16
IL7-7Bx4-HX-P	IL7-7BSx4-HX-P	2000	1/2-13	1/2	1	4	11/16
IL7-7Bx5-P	IL7-7BSx5-P	2000	1/2-13	1/2	1	5	11/16
IL7-7Bx5-HX-P	IL7-7BSx5-HX-P	2000	1/2-13	1/2	1	5	11/16
IL7-7Bx6-HX-P	IL7-7BSx6-HX-P	1500	1/2-13	1/2	1	6	11/16
IL7-7Bx8-HX-P	IL7-7BSx8-HX-P	1000	1/2-13	1/2	1	8	11/16
IL7-7FBx1-P	IL7-7FBSx1-P	2000	1/2-20	1/2	1	1	11/16
IL7-7FBx2-P	IL7-7FBSx2-P	2000	1/2-20	1/2	1	2	11/16
IL7-7FBx4-P	IL7-7FBSx4-P	2000	1/2-20	1/2	1	4	11/16
IL7-8B-P	IL7-8BS-P	2500	5/8-11	5/8	1	1-9/16	11/16
IL7-8Bx3-P	IL7-8BSx3-P	2500	5/8-11	5/8	1	3	11/16
IL7-8Bx4-P	IL7-8BSx4-P	2500	5/8-11	5/8	1	4	11/16
IL7-8Bx5-P	IL7-8BSx5-P	2500	5/8-11	5/8	1	5	11/16
IL7-9B-P	IL7-9BS-P	3000	3/4-10	3/4	1	1-9/16	11/16
IL7-9Bx3-P	IL7-9BSx3-P	3000	3/4-10	3/4	1	3	11/16
IL7-9Bx4-P	IL7-9BSx4-P	3000	3/4-10	3/4	1	4	11/16
IL8-4Bx1/2-P	IL8-4BSx1/2-P	100	1/4-20	1/2	1-1/2	1/2	11/16
IL8-4Bx1-P	IL8-4BSx1-P	100	1/4-20	1/2	1-1/2	1	11/16
IL8-4B-P	IL8-4BS-P	100	1/4-20	1/2	1-1/2	1-9/16	11/16
IL8-4Bx2-HX-P	IL8-4BSx2-HX-P	100	1/4-20	1/2	1-1/2	2	11/16
IL8-4Bx25-P	IL8-4BSx25-P	100	1/4-20	1/2	1-1/2	2-1/2	11/16
IL8-5Bx3/4-P	IL8-5BSx3/4-P	500	5/16-18	1/2	1-1/2	3/4	11/16
IL8-5Bx15-HX-P	IL8-5BSx15-HX-P	500	5/16-18	1/2	1-1/2	1-1/2	11/16
IL8-5B-P	IL8-5BS-P	500	5/16-18	1/2	1-1/2	1-9/16	11/16
IL8-5Bx25-HX-P	IL8-5BSx25-HX-P	500	5/16-18	1/2	1-1/2	2-1/2	11/16
IL8-5Bx3-P	IL8-5BSx3-P	500	5/16-18	1/2	1-1/2	3	11/16
IL8-5Bx4-P	IL8-5BSx4-P	500	5/16-18	1/2	1-1/2	4	11/16
IL8-6Bx3/4-P	IL8-6BSx3/4-P	1000	3/8-16	1/2	1-1/2	3/4	11/16
IL8-6Bx15-HX-P	IL8-6BSx15-HX-P	1000	3/8-16	1/2	1-1/2	1-1/2	11/16
IL8-6B-P	IL8-6BS-P	1000	3/8-16	1/2	1-1/2	1-9/16	11/16
IL8-6Bx1-P	IL8-6BSx1-P	1000	3/8-16	1/2	1-1/2	1	11/16
IL8-6Bx2-P	IL8-6BSx2-P	1000	3/8-16	1/2	1-1/2	2	11/16
IL8-6Bx2-HX-P	IL8-6BSx2-HX-P	1000	3/8-16	1/2	1-1/2	2	11/16
IL8-6Bx3-P	IL8-6BSx3-P	1000	3/8-16	1/2	1-1/2	3	11/16
IL8-6Bx3-HX-P	IL8-6BSx3-HX-P	1000	3/8-16	1/2	1-1/2	3	11/16
IL8-6Bx4-P	IL8-6BSx4-P	1000	3/8-16	1/2	1-1/2	4	11/16
IL8-6Bx45-HX-P	IL8-6BSx45-HX-P	1000	3/8-16	1/2	1-1/2	4-1/2	11/16
IL8-6Bx6-HX-P	IL8-6BSx6-HX-P	1000	3/8-16	1/2	1-1/2	6	11/16
IL8-6FBx1-P	IL8-6FBSx1-P	1000	3/8-24	1/2	1-1/2	1	11/16
IL8-6FBx2-P	IL8-6FBSx2-P	1000	3/8-24	1/2	1-1/2	2	11/16
IL8-7B-P	IL8-7BS-P	2000	1/2-13	1/2	1-1/2	1-9/16	11/16
IL8-7Bx2-P	IL8-7BSx2-P	2000	1/2-13	1/2	1-1/2	2	11/16
IL8-7Bx2-HX-P	IL8-7BSx2-HX-P	2000	1/2-13	1/2	1-1/2	2	11/16
IL8-7Bx25-HX-P	IL8-7BSx25-HX-P	2000	1/2-13	1/2	1-1/2	2-1/2	11/16
IL8-7Bx3-P	IL8-7BSx3-P	2000	1/2-13	1/2	1-1/2	3	11/16
IL8-7Bx3-HX-P	IL8-7BSx3-HX-P	2000	1/2-13	1/2	1-1/2	3	11/16
IL8-7Bx35-HX-P	IL8-7BSx35-HX-P	2000	1/2-13	1/2	1-1/2	3-1/2	11/16
IL8-7Bx4-P	IL8-7BSx4-P	2000	1/2-13	1/2	1-1/2	4	11/16
IL8-7Bx4-HX-P	IL8-7BSx4-HX-P	2000	1/2-13	1/2	1-1/2	4	11/16
IL8-7Bx5-P	IL8-7BSx5-P	2000	1/2-13	1/2	1-1/2	5	11/16
IL8-7Bx5-HX-P	IL8-7BSx5-HX-P	2000	1/2-13	1/2	1-1/2	5	11/16
IL8-7Bx6-HX-P	IL8-7BSx6-HX-P	1500	1/2-13	1/2	1-1/2	6	11/16
IL8-7Bx8-HX-P	IL8-7BSx8-HX-P	1000	1/2-13	1/2	1-1/2	8	11/16



**POLY BASE FIXED STUD GLIDES**

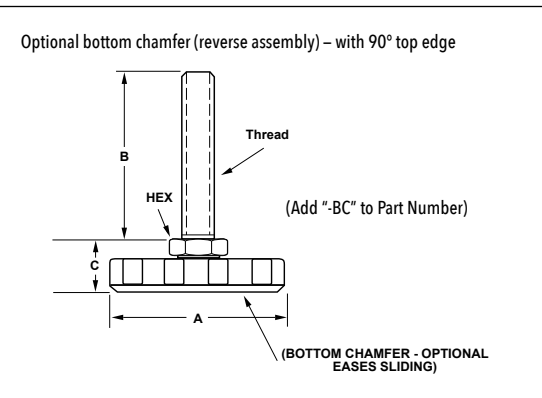
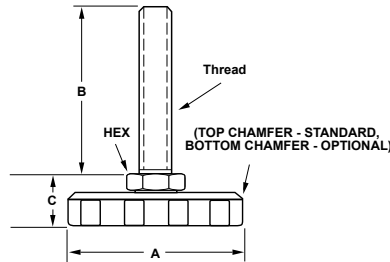
The IEC *Poly Base Steel and Stainless Steel Fixed Stud Glide* is ideal for medium-duty load requirements. The stud will tilt several degrees under load to compensate for unlevel surfaces. Cost-effective for applications not requiring a swivel base. Zinc plated steel stud and black polypropylene base, 3/8" thick. Four base sizes to choose from (1" to 3"). Many sizes available with Top-A-Just™ top-end external hex (-HX). You may also request top broached hex, allen drive (-BR).



Top-A-Just™ (-BR)



Top-A-Just™ (-HX)



Steel	SS	Load	Thread	Hex	A	B	C
<b>Poly Base Steel and Stainless Steel Fixed Stud Glides</b>							
IL8-7FBx1	IL8-7FBSx1	2000	1/2-20	1/2	1-1/2	1	11/16
IL8-7FBx2	IL8-7FBSx2	2000	1/2-20	1/2	1-1/2	2	11/16
IL8-7FBx4	IL8-7FBSx4	2000	1/2-20	1/2	1-1/2	4	11/16
IL8-8B	IL8-8BS	2500	5/8-11	5/8	1-1/2	1-9/16	11/16
IL8-8Bx3	IL8-8BSx3	2500	5/8-11	5/8	1-1/2	3	11/16
IL8-8Bx4	IL8-8BSx4	2500	5/8-11	5/8	1-1/2	4	11/16
IL8-8Bx5	IL8-8BSx5	2500	5/8-11	5/8	1-1/2	5	11/16
IL8-9B	IL8-9BS	3000	3/4-10	3/4	1-1/2	1-9/16	11/16
IL8-9Bx3	IL8-9BSx3	3000	3/4-10	3/4	1-1/2	3	11/16
IL8-9Bx4	IL8-9BSx4	3000	3/4-10	3/4	1-1/2	4	11/16
IL7A-4Bx1/2	IL7A-4BSx1/2	100	1/4-20	1/2	2	1/2	11/16
IL7A-4Bx1	IL7A-4BSx1	100	1/4-20	1/2	2	1	11/16
IL7A-4B	IL7A-4BS	100	1/4-20	1/2	2	1-9/16	11/16
IL7A-4Bx2-HX	IL7A-4BSx2-HX	100	1/4-20	1/2	2	2	11/16
IL7A-4Bx25	IL7A-4BSx25	100	1/4-20	1/2	2	2-1/2	11/16
IL7A-5Bx3/4	IL7A-5BSx3/4	500	5/16-18	1/2	2	3/4	11/16
IL7A-5Bx15-HX	IL7A-5BSx15-HX	500	5/16-18	1/2	2	1-1/2	11/16
IL7A-5B	IL7A-5BS	500	5/16-18	1/2	2	1-9/16	11/16
IL7A-5Bx25-HX	IL7A-5BSx25-HX	500	5/16-18	1/2	2	2-1/2	11/16
IL7A-5Bx3	IL7A-5BSx3	500	5/16-18	1/2	2	3	11/16
IL7A-5Bx4	IL7A-5BSx4	500	5/16-18	1/2	2	4	11/16
IL7A-6Bx3/4	IL7A-6BSx3/4	1000	3/8-16	1/2	2	3/4	11/16
IL7A-6Bx15-HX	IL7A-6BSx15-HX	1000	3/8-16	1/2	2	1-1/2	11/16
IL7A-6B	IL7A-6BS	1000	3/8-16	1/2	2	1-9/16	11/16
IL7A-6Bx1	IL7A-6BSx1	1000	3/8-16	1/2	2	1	11/16
IL7A-6Bx2	IL7A-6BSx2	1000	3/8-16	1/2	2	2	11/16
IL7A-6Bx2-HX	IL7A-6BSx2-HX	1000	3/8-16	1/2	2	2	11/16
IL7A-6Bx3	IL7A-6BSx3	1000	3/8-16	1/2	2	3	11/16
IL7A-6Bx3-HX	IL7A-6BSx3-HX	1000	3/8-16	1/2	2	3	11/16
IL7A-6Bx4	IL7A-6BSx4	1000	3/8-16	1/2	2	4	11/16
IL7A-6Bx45-HX	IL7A-6BSx45-HX	1000	3/8-16	1/2	2	4-1/2	11/16
IL7A-6Bx6-HX	IL7A-6BSx6-HX	1000	3/8-16	1/2	2	6	11/16
IL7A-6FBx1	IL7A-6FBSx1	1000	3/8-24	1/2	2	1	11/16
IL7A-6FBx2	IL7A-6FBSx2	1000	3/8-24	1/2	2	2	11/16
IL7A-7B	IL7A-7BS	2000	1/2-13	1/2	2	1-9/16	11/16
IL7A-7Bx2	IL7A-7BSx2	2000	1/2-13	1/2	2	2	11/16
IL7A-7Bx2-HX	IL7A-7BSx2-HX	2000	1/2-13	1/2	2	2	11/16
IL7A-7Bx25-HX	IL7A-7BSx25-HX	2000	1/2-13	1/2	2	2-1/2	11/16
IL7A-7Bx3	IL7A-7BSx3	2000	1/2-13	1/2	2	3	11/16
IL7A-7Bx3-HX	IL7A-7BSx3-HX	2000	1/2-13	1/2	2	3	11/16
IL7A-7Bx35-HX	IL7A-7BSx35-HX	2000	1/2-13	1/2	2	3-1/2	11/16
IL7A-7Bx4	IL7A-7BSx4	2000	1/2-13	1/2	2	4	11/16
IL7A-7Bx4-HX	IL7A-7BSx4-HX	2000	1/2-13	1/2	2	4	11/16
IL7A-7Bx5	IL7A-7BSx5	2000	1/2-13	1/2	2	5	11/16
IL7A-7Bx5-HX	IL7A-7BSx5-HX	2000	1/2-13	1/2	2	5	11/16
IL7A-7Bx6-HX	IL7A-7BSx6-HX	1500	1/2-13	1/2	2	6	11/16
IL7A-7Bx8-HX	IL7A-7BSx8-HX	1000	1/2-13	1/2	2	8	11/16
IL7A-7FBx1	IL7A-7FBSx1	2000	1/2-20	1/2	2	1	11/16
IL7A-7FBx2	IL7A-7FBSx2	2000	1/2-20	1/2	2	2	11/16
IL7A-7FBx4	IL7A-7FBSx4	2000	1/2-20	1/2	2	4	11/16
IL7A-8B	IL7A-8BS	2500	5/8-11	5/8	2	1-9/16	11/16
IL7A-8Bx3	IL7A-8BSx3	2500	5/8-11	5/8	2	3	11/16
IL7A-8Bx4	IL7A-8BSx4	2500	5/8-11	5/8	2	4	11/16
IL7A-8Bx5	IL7A-8BSx5	2500	5/8-11	5/8	2	5	11/16
IL7A-9B	IL7A-9BS	3000	3/4-10	3/4	2	1-9/16	11/16
IL7A-9Bx3	IL7A-9BSx3	3000	3/4-10	3/4	2	3	11/16
IL7A-9Bx4	IL7A-9BSx4	3000	3/4-10	3/4	2	4	11/16
IL7M-4Bx1/2	IL7M-4BSx1/2	100	1/4-20	1/2	2-1/2	1/2	11/16
IL7M-4Bx1	IL7M-4BSx1	100	1/4-20	1/2	2-1/2	1	11/16
IL7M-4B	IL7M-4BS	100	1/4-20	1/2	2-1/2	1-9/16	11/16
IL7M-4Bx2-HX	IL7M-4BSx2-HX	100	1/4-20	1/2	2-1/2	2	11/16
IL7M-4Bx25	IL7M-4BSx25	100	1/4-20	1/2	2-1/2	2-1/2	11/16
IL7M-5Bx3/4	IL7M-5BSx3/4	500	5/16-18	1/2	2-1/2	3/4	11/16
IL7M-5Bx15-HX	IL7M-5BSx15-HX	500	5/16-18	1/2	2-1/2	1-1/2	11/16
IL7M-5B	IL7M-5BS	500	5/16-18	1/2	2-1/2	1-9/16	11/16
IL7M-5Bx25-HX	IL7M-5BSx25-HX	500	5/16-18	1/2	2-1/2	2-1/2	11/16
IL7M-5Bx3	IL7M-5BSx3	500	5/16-18	1/2	2-1/2	3	11/16
IL7M-5Bx4	IL7M-5BSx4	500	5/16-18	1/2	2-1/2	4	11/16
IL7M-6Bx3/4	IL7M-6BSx3/4	1000	3/8-16	1/2	2-1/2	3/4	11/16
IL7M-6Bx15-HX	IL7M-6BSx15-HX	1000	3/8-16	1/2	2-1/2	1-1/2	11/16
IL7M-6B	IL7M-6BS	1000	3/8-16	1/2	2-1/2	1-9/16	11/16
IL7M-6Bx1	IL7M-6BSx1	1000	3/8-16	1/2	2-1/2	1	11/16
IL7M-6Bx2	IL7M-6BSx2	1000	3/8-16	1/2	2-1/2	2	11/16
IL7M-6Bx2-HX	IL7M-6BSx2-HX	1000	3/8-16	1/2	2-1/2	2	11/16
IL7M-6Bx3	IL7M-6BSx3	1000	3/8-16	1/2	2-1/2	3	11/16
IL7M-6Bx3-HX	IL7M-6BSx3-HX	1000	3/8-16	1/2	2-1/2	3	11/16
IL7M-6Bx4	IL7M-6BSx4	1000	3/8-16	1/2	2-1/2	4	11/16
IL7M-6Bx45-HX	IL7M-6BSx45-HX	1000	3/8-16	1/2	2-1/2	4-1/2	11/16
IL7M-6Bx6-HX	IL7M-6BSx6-HX	1000	3/8-16	1/2	2-1/2	6	11/16
IL7M-6FBx1	IL7M-6FBSx1	1000	3/8-24	1/2	2-1/2	1	11/16
IL7M-6FBx2	IL7M-6FBSx2	1000	3/8-24	1/2	2-1/2	2	11/16



**POLY BASE FIXED STUD GLIDES WITH RUBBER PAD**

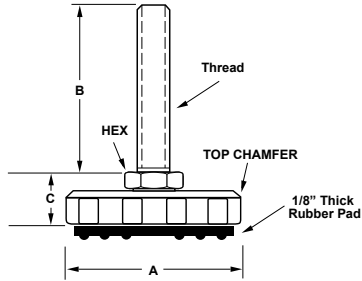
The IEC *Poly Base Steel and Stainless Steel Fixed Stud Glide with Rubber Pad* is ideal for medium-duty load requirements. The rubber pad provides a non-skid, surface protecting feature, while the stud tilts several degrees under load to compensate for unlevel surfaces. Cost-effective for applications not requiring a swivel base. Zinc plated steel stud and black polypropylene base, 3/8" thick. Four base sizes to choose from (1" to 3"). Many sizes available with Top-A-Just™ top-end external hex (-HX). You may also request top broached hex, allen drive (-BR).



Top-A-Just™ (-BR)



Top-A-Just™ (-HX)



Rubber Pad Bottom View

Steel	SS	Load	Thread	Hex	A	B	C
<b>Poly Base Steel and Stainless Steel Fixed Stud Glides</b>							
IL8-7FBx1-P	IL8-7FBSx1-P	2000	1/2-20	1/2	1-1/2	1	11/16
IL8-7FBx2-P	IL8-7FBSx2-P	2000	1/2-20	1/2	1-1/2	2	11/16
IL8-7FBx4-P	IL8-7FBSx4-P	2000	1/2-20	1/2	1-1/2	4	11/16
IL8-8B-P	IL8-8BS-P	2500	5/8-11	5/8	1-1/2	1-9/16	11/16
IL8-8Bx3-P	IL8-8BSx3-P	2500	5/8-11	5/8	1-1/2	3	11/16
IL8-8Bx4-P	IL8-8BSx4-P	2500	5/8-11	5/8	1-1/2	4	11/16
IL8-8Bx5-P	IL8-8BSx5-P	2500	5/8-11	5/8	1-1/2	5	11/16
IL8-9B-P	IL8-9BS-P	3000	3/4-10	3/4	1-1/2	1-9/16	11/16
IL8-9Bx3-P	IL8-9BSx3-P	3000	3/4-10	3/4	1-1/2	3	11/16
IL8-9Bx4-P	IL8-9BSx4-P	3000	3/4-10	3/4	1-1/2	4	11/16
IL7A-4Bx1/2-P	IL7A-4BSx1/2-P	100	1/4-20	1/2	2	1/2	11/16
IL7A-4Bx1-P	IL7A-4BSx1-P	100	1/4-20	1/2	2	1	11/16
IL7A-4B-P	IL7A-4BS-P	100	1/4-20	1/2	2	1-9/16	11/16
IL7A-4Bx2-HX-P	IL7A-4BSx2-HX-P	100	1/4-20	1/2	2	2	11/16
IL7A-4Bx2.5-P	IL7A-4BSx2.5-P	100	1/4-20	1/2	2	2-1/2	11/16
IL7A-5Bx3/4-P	IL7A-5BSx3/4-P	500	5/16-18	1/2	2	3/4	11/16
IL7A-5Bx15-HX-P	IL7A-5BSx15-HX-P	500	5/16-18	1/2	2	1-1/2	11/16
IL7A-5B-P	IL7A-5BS-P	500	5/16-18	1/2	2	1-9/16	11/16
IL7A-5Bx25-HX-P	IL7A-5BSx25-HX-P	500	5/16-18	1/2	2	2-1/2	11/16
IL7A-5Bx3-P	IL7A-5BSx3-P	500	5/16-18	1/2	2	3	11/16
IL7A-5Bx4-P	IL7A-5BSx4-P	500	5/16-18	1/2	2	4	11/16
IL7A-6Bx3/4-P	IL7A-6BSx3/4-P	1000	3/8-16	1/2	2	3/4	11/16
IL7A-6Bx15-HX-P	IL7A-6BSx15-HX-P	1000	3/8-16	1/2	2	1-1/2	11/16
IL7A-6B-P	IL7A-6BS-P	1000	3/8-16	1/2	2	1-9/16	11/16
IL7A-6Bx1-P	IL7A-6BSx1-P	1000	3/8-16	1/2	2	1	11/16
IL7A-6Bx2-P	IL7A-6BSx2-P	1000	3/8-16	1/2	2	2	11/16
IL7A-6Bx2-HX-P	IL7A-6BSx2-HX-P	1000	3/8-16	1/2	2	2	11/16
IL7A-6Bx3-P	IL7A-6BSx3-P	1000	3/8-16	1/2	2	3	11/16
IL7A-6Bx3-HX-P	IL7A-6BSx3-HX-P	1000	3/8-16	1/2	2	3	11/16
IL7A-6Bx4-P	IL7A-6BSx4-P	1000	3/8-16	1/2	2	4	11/16
IL7A-6Bx45-HX-P	IL7A-6BSx45-HX-P	1000	3/8-16	1/2	2	4-1/2	11/16
IL7A-6Bx6-HX-P	IL7A-6BSx6-HX-P	1000	3/8-16	1/2	2	6	11/16
IL7A-6FBx1-P	IL7A-6FBSx1-P	1000	3/8-24	1/2	2	1	11/16
IL7A-6FBx2-P	IL7A-6FBSx2-P	1000	3/8-24	1/2	2	2	11/16
IL7A-7B-P	IL7A-7BS-P	2000	1/2-13	1/2	2	1-9/16	11/16
IL7A-7Bx2-P	IL7A-7BSx2-P	2000	1/2-13	1/2	2	2	11/16
IL7A-7Bx2-HX-P	IL7A-7BSx2-HX-P	2000	1/2-13	1/2	2	2	11/16
IL7A-7Bx2.5-HX-P	IL7A-7BSx2.5-HX-P	2000	1/2-13	1/2	2	2-1/2	11/16
IL7A-7Bx3-P	IL7A-7BSx3-P	2000	1/2-13	1/2	2	3	11/16
IL7A-7Bx3-HX-P	IL7A-7BSx3-HX-P	2000	1/2-13	1/2	2	3	11/16
IL7A-7Bx3.5-HX-P	IL7A-7BSx3.5-HX-P	2000	1/2-13	1/2	2	3-1/2	11/16
IL7A-7Bx4-P	IL7A-7BSx4-P	2000	1/2-13	1/2	2	4	11/16
IL7A-7Bx4-HX-P	IL7A-7BSx4-HX-P	2000	1/2-13	1/2	2	4	11/16
IL7A-7Bx5-P	IL7A-7BSx5-P	2000	1/2-13	1/2	2	5	11/16
IL7A-7Bx5-HX-P	IL7A-7BSx5-HX-P	2000	1/2-13	1/2	2	5	11/16
IL7A-7Bx6-HX-P	IL7A-7BSx6-HX-P	1500	1/2-13	1/2	2	6	11/16
IL7A-7Bx8-HX-P	IL7A-7BSx8-HX-P	1000	1/2-13	1/2	2	8	11/16
IL7A-7FBx1-P	IL7A-7FBSx1-P	2000	1/2-20	1/2	2	1	11/16
IL7A-7FBx2-P	IL7A-7FBSx2-P	2000	1/2-20	1/2	2	2	11/16
IL7A-7FBx4-P	IL7A-7FBSx4-P	2000	1/2-20	1/2	2	4	11/16
IL7A-8B-P	IL7A-8BS-P	2500	5/8-11	5/8	2	1-9/16	11/16
IL7A-8Bx3-P	IL7A-8BSx3-P	2500	5/8-11	5/8	2	3	11/16
IL7A-8Bx4-P	IL7A-8BSx4-P	2500	5/8-11	5/8	2	4	11/16
IL7A-8Bx5-P	IL7A-8BSx5-P	2500	5/8-11	5/8	2	5	11/16
IL7A-9B-P	IL7A-9BS-P	3000	3/4-10	3/4	2	1-9/16	11/16
IL7A-9Bx3-P	IL7A-9BSx3-P	3000	3/4-10	3/4	2	3	11/16
IL7A-9Bx4-P	IL7A-9BSx4-P	3000	3/4-10	3/4	2	4	11/16
IL7M-4Bx1/2-P	IL7M-4BSx1/2-P	100	1/4-20	1/2	2-1/2	1/2	11/16
IL7M-4Bx1-P	IL7M-4BSx1-P	100	1/4-20	1/2	2-1/2	1	11/16
IL7M-4B-P	IL7M-4BS-P	100	1/4-20	1/2	2-1/2	1-9/16	11/16
IL7M-4Bx2-HX-P	IL7M-4BSx2-HX-P	100	1/4-20	1/2	2-1/2	2	11/16
IL7M-4Bx2.5-P	IL7M-4BSx2.5-P	100	1/4-20	1/2	2-1/2	2-1/2	11/16
IL7M-5Bx3/4-P	IL7M-5BSx3/4-P	500	5/16-18	1/2	2-1/2	3/4	11/16
IL7M-5Bx15-HX-P	IL7M-5BSx15-HX-P	500	5/16-18	1/2	2-1/2	1-1/2	11/16
IL7M-5B-P	IL7M-5BS-P	500	5/16-18	1/2	2-1/2	1-9/16	11/16
IL7M-5Bx25-HX-P	IL7M-5BSx25-HX-P	500	5/16-18	1/2	2-1/2	2-1/2	11/16
IL7M-5Bx3-P	IL7M-5BSx3-P	500	5/16-18	1/2	2-1/2	3	11/16
IL7M-5Bx4-P	IL7M-5BSx4-P	500	5/16-18	1/2	2-1/2	4	11/16
IL7M-6Bx3/4-P	IL7M-6BSx3/4-P	1000	3/8-16	1/2	2-1/2	3/4	11/16
IL7M-6Bx15-HX-P	IL7M-6BSx15-HX-P	1000	3/8-16	1/2	2-1/2	1-1/2	11/16
IL7M-6B-P	IL7M-6BS-P	1000	3/8-16	1/2	2-1/2	1-9/16	11/16
IL7M-6Bx1-P	IL7M-6BSx1-P	1000	3/8-16	1/2	2-1/2	1	11/16
IL7M-6Bx2-P	IL7M-6BSx2-P	1000	3/8-16	1/2	2-1/2	2	11/16
IL7M-6Bx2-HX-P	IL7M-6BSx2-HX-P	1000	3/8-16	1/2	2-1/2	2	11/16
IL7M-6Bx3-P	IL7M-6BSx3-P	1000	3/8-16	1/2	2-1/2	3	11/16
IL7M-6Bx3-HX-P	IL7M-6BSx3-HX-P	1000	3/8-16	1/2	2-1/2	3	11/16
IL7M-6Bx4-P	IL7M-6BSx4-P	1000	3/8-16	1/2	2-1/2	4	11/16
IL7M-6Bx45-HX-P	IL7M-6BSx45-HX-P	1000	3/8-16	1/2	2-1/2	4-1/2	11/16
IL7M-6Bx6-HX-P	IL7M-6BSx6-HX-P	1000	3/8-16	1/2	2-1/2	6	11/16
IL7M-6FBx1-P	IL7M-6FBSx1-P	1000	3/8-24	1/2	2-1/2	1	11/16
IL7M-6FBx2-P	IL7M-6FBSx2-P	1000	3/8-24	1/2	2-1/2	2	11/16



**POLY BASE FIXED STUD GLIDES**

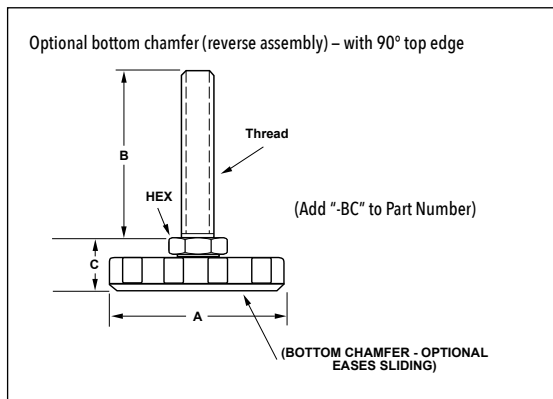
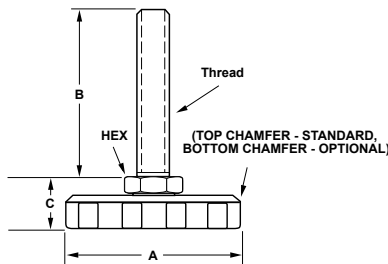
The IEC Poly Base Steel and Stainless Steel Fixed Stud Glide is ideal for medium-duty load requirements. The stud will tilt several degrees under load to compensate for unlevel surfaces. Cost-effective for applications not requiring a swivel base. Zinc plated steel stud and black polypropylene base, 3/8" thick. Four base sizes to choose from (1" to 3"). Many sizes available with Top-A-Just™ top-end external hex (-HX). You may also request top broached hex, allen drive (-BR).



Top-A-Just™ (-BR)



Top-A-Just™ (-HX)



Steel	SS	Load	Thread	Hex	A	B	C
<b>Poly Base Steel and Stainless Steel Fixed Stud Glides</b>							
IL7M-7B	IL7M-7BS	2000	1/2-13	1/2	2-1/2	1-9/16	11/16
IL7M-7Bx2	IL7M-7BSx2	2000	1/2-13	1/2	2-1/2	2	11/16
IL7M-7Bx2-HX	IL7M-7BSx2-HX	2000	1/2-13	1/2	2-1/2	2	11/16
IL7M-7Bx25-HX	IL7M-7BSx25-HX	2000	1/2-13	1/2	2-1/2	2-1/2	11/16
IL7M-7Bx3	IL7M-7BSx3	2000	1/2-13	1/2	2-1/2	3	11/16
IL7M-7Bx3-HX	IL7M-7BSx3-HX	2000	1/2-13	1/2	2-1/2	3	11/16
IL7M-7Bx35-HX	IL7M-7BSx35-HX	2000	1/2-13	1/2	2-1/2	3-1/2	11/16
IL7M-7Bx4	IL7M-7BSx4	2000	1/2-13	1/2	2-1/2	4	11/16
IL7M-7Bx4-HX	IL7M-7BSx4-HX	2000	1/2-13	1/2	2-1/2	4	11/16
IL7M-7Bx5	IL7M-7BSx5	2000	1/2-13	1/2	2-1/2	5	11/16
IL7M-7Bx5-HX	IL7M-7BSx5-HX	2000	1/2-13	1/2	2-1/2	5	11/16
IL7M-7Bx6-HX	IL7M-7BSx6-HX	1500	1/2-13	1/2	2-1/2	6	11/16
IL7M-7Bx8-HX	IL7M-7BSx8-HX	1000	1/2-13	1/2	2-1/2	8	11/16
IL7M-7FBx1	IL7M-7FBSx1	2000	1/2-20	1/2	2-1/2	1	11/16
IL7M-7FBx2	IL7M-7FBSx2	2000	1/2-20	1/2	2-1/2	2	11/16
IL7M-7FBx4	IL7M-7FBSx4	2000	1/2-20	1/2	2-1/2	4	11/16
IL7M-8B	IL7M-8BS	2500	5/8-11	5/8	2-1/2	1-9/16	11/16
IL7M-8Bx3	IL7M-8BSx3	2500	5/8-11	5/8	2-1/2	3	11/16
IL7M-8Bx4	IL7M-8BSx4	2500	5/8-11	5/8	2-1/2	4	11/16
IL7M-8Bx5	IL7M-8BSx5	2500	5/8-11	5/8	2-1/2	5	11/16
IL7M-9B	IL7M-9BS	3000	3/4-10	3/4	2-1/2	1-9/16	11/16
IL7M-9Bx3	IL7M-9BSx3	3000	3/4-10	3/4	2-1/2	3	11/16
IL7M-9Bx4	IL7M-9BSx4	3000	3/4-10	3/4	2-1/2	4	11/16
IL8A-4Bx1/2	IL8A-4BSx1/2	100	1/4-20	1/2	3	1/2	11/16
IL8A-4Bx1	IL8A-4BSx1	100	1/4-20	1/2	3	1	11/16
IL8A-4B	IL8A-4BS	100	1/4-20	1/2	3	1-9/16	11/16
IL8A-4Bx2-HX	IL8A-4BSx2-HX	100	1/4-20	1/2	3	2	11/16
IL8A-4Bx25	IL8A-4BSx25	100	1/4-20	1/2	3	2-1/2	11/16
IL8A-5Bx3/4	IL8A-5BSx3/4	500	5/16-18	1/2	3	3/4	11/16
IL8A-5Bx15-HX	IL8A-5BSx15-HX	500	5/16-18	1/2	3	1-1/2	11/16
IL8A-5B	IL8A-5BS	500	5/16-18	1/2	3	1-9/16	11/16
IL8A-5Bx25-HX	IL8A-5BSx25-HX	500	5/16-18	1/2	3	2-1/2	11/16
IL8A-5Bx3	IL8A-5BSx3	500	5/16-18	1/2	3	3	11/16
IL8A-5Bx4	IL8A-5BSx4	500	5/16-18	1/2	3	4	11/16
IL8A-6Bx3/4	IL8A-6BSx3/4	1000	3/8-16	1/2	3	3/4	11/16
IL8A-6Bx15-HX	IL8A-6BSx15-HX	1000	3/8-16	1/2	3	1-1/2	11/16
IL8A-6B	IL8A-6BS	1000	3/8-16	1/2	3	1-9/16	11/16
IL8A-6Bx1	IL8A-6BSx1	1000	3/8-16	1/2	3	1	11/16
IL8A-6Bx2	IL8A-6BSx2	1000	3/8-16	1/2	3	2	11/16
IL8A-6Bx2-HX	IL8A-6BSx2-HX	1000	3/8-16	1/2	3	2	11/16
IL8A-6Bx3	IL8A-6BSx3	1000	3/8-16	1/2	3	3	11/16
IL8A-6Bx3-HX	IL8A-6BSx3-HX	1000	3/8-16	1/2	3	3	11/16
IL8A-6Bx4	IL8A-6BSx4	1000	3/8-16	1/2	3	4	11/16
IL8A-6Bx45-HX	IL8A-6BSx45-HX	1000	3/8-16	1/2	3	4-1/2	11/16
IL8A-6Bx6-HX	IL8A-6BSx6-HX	1000	3/8-16	1/2	3	6	11/16
IL8A-6FBx1	IL8A-6FBSx1	1000	3/8-24	1/2	3	1	11/16
IL8A-6FBx2	IL8A-6FBSx2	1000	3/8-24	1/2	3	2	11/16
IL8A-7B	IL8A-7BS	2000	1/2-13	1/2	3	1-9/16	11/16
IL8A-7Bx2	IL8A-7BSx2	2000	1/2-13	1/2	3	2	11/16
IL8A-7Bx2-HX	IL8A-7BSx2-HX	2000	1/2-13	1/2	3	2	11/16
IL8A-7Bx25-HX	IL8A-7BSx25-HX	2000	1/2-13	1/2	3	2-1/2	11/16
IL8A-7Bx3	IL8A-7BSx3	2000	1/2-13	1/2	3	3	11/16
IL8A-7Bx3-HX	IL8A-7BSx3-HX	2000	1/2-13	1/2	3	3	11/16
IL8A-7Bx35-HX	IL8A-7BSx35-HX	2000	1/2-13	1/2	3	3-1/2	11/16
IL8A-7Bx4	IL8A-7BSx4	2000	1/2-13	1/2	3	4	11/16
IL8A-7Bx4-HX	IL8A-7BSx4-HX	2000	1/2-13	1/2	3	4	11/16
IL8A-7Bx5	IL8A-7BSx5	2000	1/2-13	1/2	3	5	11/16
IL8A-7Bx5-HX	IL8A-7BSx5-HX	2000	1/2-13	1/2	3	5	11/16
IL8A-7Bx6-HX	IL8A-7BSx6-HX	1500	1/2-13	1/2	3	6	11/16
IL8A-7Bx8-HX	IL8A-7BSx8-HX	1000	1/2-13	1/2	3	8	11/16
IL8A-7FBx1	IL8A-7FBSx1	2000	1/2-20	1/2	3	1	11/16
IL8A-7FBx2	IL8A-7FBSx2	2000	1/2-20	1/2	3	2	11/16
IL8A-7FBx4	IL8A-7FBSx4	2000	1/2-20	1/2	3	4	11/16
IL8A-8B	IL8A-8BS	2500	5/8-11	5/8	3	1-9/16	11/16
IL8A-8Bx3	IL8A-8BSx3	2500	5/8-11	5/8	3	3	11/16
IL8A-8Bx4	IL8A-8BSx4	2500	5/8-11	5/8	3	4	11/16
IL8A-8Bx5	IL8A-8BSx5	2500	5/8-11	5/8	3	5	11/16
IL8A-9B	IL8A-9BS	3000	3/4-10	3/4	3	1-9/16	11/16
IL8A-9Bx3	IL8A-9BSx3	3000	3/4-10	3/4	3	3	11/16
IL8A-9Bx4	IL8A-9BSx4	3000	3/4-10	3/4	3	4	11/16



**POLY BASE FIXED STUD GLIDES WITH RUBBER PAD**

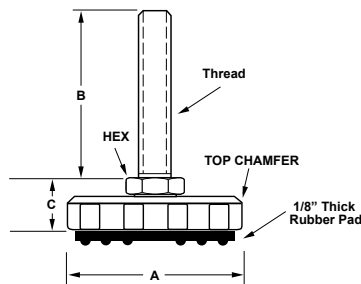
The IEC Poly Base Steel and Stainless Steel Fixed Stud Glide with Rubber Pad is ideal for medium-duty load requirements. The rubber pad provides a non-skid, surface protecting feature, while the stud tilts several degrees under load to compensate for unlevel surfaces. Cost-effective for applications not requiring a swivel base. Zinc plated steel stud and black polypropylene base, 3/8" thick. Four base sizes to choose from (1" to 3"). Many sizes available with Top-A-Just™ top-end external hex (-HX). You may also request top broached hex, allen drive (-BR).



Top-A-Just™ (-BR)



Top-A-Just™ (-HX)



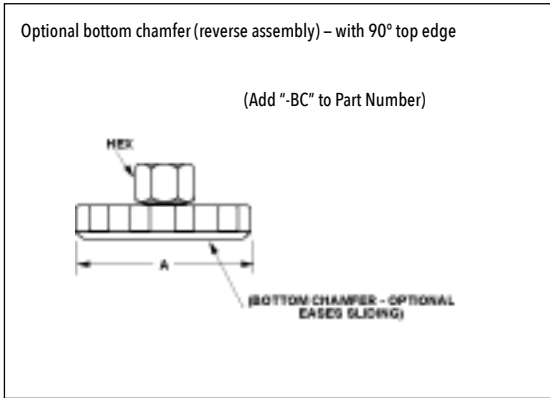
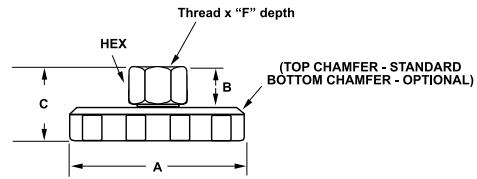
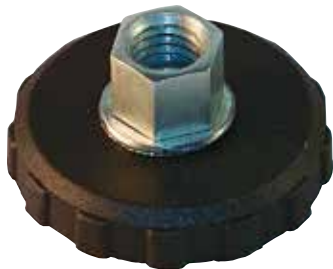
Rubber Pad Bottom View

Steel	SS	Load	Thread	Hex	A	B	C
<b>Poly Base Steel and Stainless Steel Fixed Stud Glides</b>							
IL7M-7B-P	IL7M-7BS-P	2000	1/2-13	1/2	2-1/2	1-9/16	11/16
IL7M-7Bx2-P	IL7M-7BSx2-P	2000	1/2-13	1/2	2-1/2	2	11/16
IL7M-7Bx2-HX-P	IL7M-7BSx2-HX-P	2000	1/2-13	1/2	2-1/2	2	11/16
IL7M-7Bx25-HX-P	IL7M-7BSx25-HX-P	2000	1/2-13	1/2	2-1/2	2-1/2	11/16
IL7M-7Bx3-P	IL7M-7BSx3-P	2000	1/2-13	1/2	2-1/2	3	11/16
IL7M-7Bx3-HX-P	IL7M-7BSx3-HX-P	2000	1/2-13	1/2	2-1/2	3	11/16
IL7M-7Bx35-HX-P	IL7M-7BSx35-HX-P	2000	1/2-13	1/2	2-1/2	3-1/2	11/16
IL7M-7Bx4-P	IL7M-7BSx4-P	2000	1/2-13	1/2	2-1/2	4	11/16
IL7M-7Bx4-HX-P	IL7M-7BSx4-HX-P	2000	1/2-13	1/2	2-1/2	4	11/16
IL7M-7Bx5-P	IL7M-7BSx5-P	2000	1/2-13	1/2	2-1/2	5	11/16
IL7M-7Bx5-HX-P	IL7M-7BSx5-HX-P	2000	1/2-13	1/2	2-1/2	5	11/16
IL7M-7Bx6-HX-P	IL7M-7BSx6-HX-P	1500	1/2-13	1/2	2-1/2	6	11/16
IL7M-7Bx8-HX-P	IL7M-7BSx8-HX-P	1000	1/2-13	1/2	2-1/2	8	11/16
IL7M-7FBx1-P	IL7M-7FBSx1-P	2000	1/2-20	1/2	2-1/2	1	11/16
IL7M-7FBx2-P	IL7M-7FBSx2-P	2000	1/2-20	1/2	2-1/2	2	11/16
IL7M-7FBx4-P	IL7M-7FBSx4-P	2000	1/2-20	1/2	2-1/2	4	11/16
IL7M-8B-P	IL7M-8BS-P	2500	5/8-11	5/8	2-1/2	1-9/16	11/16
IL7M-8Bx3-P	IL7M-8BSx3-P	2500	5/8-11	5/8	2-1/2	3	11/16
IL7M-8Bx4-P	IL7M-8BSx4-P	2500	5/8-11	5/8	2-1/2	4	11/16
IL7M-8Bx5-P	IL7M-8BSx5-P	2500	5/8-11	5/8	2-1/2	5	11/16
IL7M-9B-P	IL7M-9BS-P	3000	3/4-10	3/4	2-1/2	1-9/16	11/16
IL7M-9Bx3-P	IL7M-9BSx3-P	3000	3/4-10	3/4	2-1/2	3	11/16
IL7M-9Bx4-P	IL7M-9BSx4-P	3000	3/4-10	3/4	2-1/2	4	11/16
IL8A-4Bx1/2-P	IL8A-4BSx1/2-P	100	1/4-20	1/2	3	1/2	11/16
IL8A-4Bx1-P	IL8A-4BSx1-P	100	1/4-20	1/2	3	1	11/16
IL8A-4B-P	IL8A-4BS-P	100	1/4-20	1/2	3	1-9/16	11/16
IL8A-4Bx25-P	IL8A-4BSx25-P	100	1/4-20	1/2	3	2-1/2	11/16
IL8A-5Bx3/4-P	IL8A-5BSx3/4-P	500	5/16-18	1/2	3	3/4	11/16
IL8A-5Bx15-HX-P	IL8A-5BSx15-HX-P	500	5/16-18	1/2	3	1-1/2	11/16
IL8A-5B-P	IL8A-5BS-P	500	5/16-18	1/2	3	1-9/16	11/16
IL8A-5Bx25-HX-P	IL8A-5BSx25-HX-P	500	5/16-18	1/2	3	2-1/2	11/16
IL8A-5Bx3-P	IL8A-5BSx3-P	500	5/16-18	1/2	3	3	11/16
IL8A-5Bx4-P	IL8A-5BSx4-P	500	5/16-18	1/2	3	4	11/16
IL8A-6Bx3/4-P	IL8A-6BSx3/4-P	1000	3/8-16	1/2	3	3/4	11/16
IL8A-6Bx15-HX-P	IL8A-6BSx15-HX-P	1000	3/8-16	1/2	3	1-1/2	11/16
IL8A-6B-P	IL8A-6BS-P	1000	3/8-16	1/2	3	1-9/16	11/16
IL8A-6Bx1-P	IL8A-6BSx1-P	1000	3/8-16	1/2	3	1	11/16
IL8A-6Bx2-P	IL8A-6BSx2-P	1000	3/8-16	1/2	3	2	11/16
IL8A-6Bx2-HX-P	IL8A-6BSx2-HX-P	1000	3/8-16	1/2	3	2	11/16
IL8A-6Bx3-P	IL8A-6BSx3-P	1000	3/8-16	1/2	3	3	11/16
IL8A-6Bx3-HX-P	IL8A-6BSx3-HX-P	1000	3/8-16	1/2	3	3	11/16
IL8A-6Bx4-P	IL8A-6BSx4-P	1000	3/8-16	1/2	3	4	11/16
IL8A-6Bx45-HX-P	IL8A-6BSx45-HX-P	1000	3/8-16	1/2	3	4-1/2	11/16
IL8A-6Bx6-HX-P	IL8A-6BSx6-HX-P	1000	3/8-16	1/2	3	6	11/16
IL8A-6FBx1-P	IL8A-6FBSx1-P	1000	3/8-24	1/2	3	1	11/16
IL8A-6FBx2-P	IL8A-6FBSx2-P	1000	3/8-24	1/2	3	2	11/16
IL8A-7B-P	IL8A-7BS-P	2000	1/2-13	1/2	3	1-9/16	11/16
IL8A-7Bx2-P	IL8A-7BSx2-P	2000	1/2-13	1/2	3	2	11/16
IL8A-7Bx2-HX-P	IL8A-7BSx2-HX-P	2000	1/2-13	1/2	3	2	11/16
IL8A-7Bx25-HX-P	IL8A-7BSx25-HX-P	2000	1/2-13	1/2	3	2-1/2	11/16
IL8A-7Bx3-P	IL8A-7BSx3-P	2000	1/2-13	1/2	3	3	11/16
IL8A-7Bx3-HX-P	IL8A-7BSx3-HX-P	2000	1/2-13	1/2	3	3	11/16
IL8A-7Bx35-HX-P	IL8A-7BSx35-HX-P	2000	1/2-13	1/2	3	3-1/2	11/16
IL8A-7Bx4-P	IL8A-7BSx4-P	2000	1/2-13	1/2	3	4	11/16
IL8A-7Bx4-HX-P	IL8A-7BSx4-HX-P	2000	1/2-13	1/2	3	4	11/16
IL8A-7Bx5-P	IL8A-7BSx5-P	2000	1/2-13	1/2	3	5	11/16
IL8A-7Bx5-HX-P	IL8A-7BSx5-HX-P	2000	1/2-13	1/2	3	5	11/16
IL8A-7Bx6-HX-P	IL8A-7BSx6-HX-P	1500	1/2-13	1/2	3	6	11/16
IL8A-7Bx8-HX-P	IL8A-7BSx8-HX-P	1000	1/2-13	1/2	3	8	11/16
IL8A-7FBx1-P	IL8A-7FBSx1-P	2000	1/2-20	1/2	3	1	11/16
IL8A-7FBx2-P	IL8A-7FBSx2-P	2000	1/2-20	1/2	3	2	11/16
IL8A-7FBx4-P	IL8A-7FBSx4-P	2000	1/2-20	1/2	3	4	11/16
IL8A-8B-P	IL8A-8BS-P	2500	5/8-11	5/8	3	1-9/16	11/16
IL8A-8Bx3-P	IL8A-8BSx3-P	2500	5/8-11	5/8	3	3	11/16
IL8A-8Bx4-P	IL8A-8BSx4-P	2500	5/8-11	5/8	3	4	11/16
IL8A-8Bx5-P	IL8A-8BSx5-P	2500	5/8-11	5/8	3	5	11/16
IL8A-9B-P	IL8A-9BS-P	3000	3/4-10	3/4	3	1-9/16	11/16
IL8A-9Bx3-P	IL8A-9BSx3-P	3000	3/4-10	3/4	3	3	11/16
IL8A-9Bx4-P	IL8A-9BSx4-P	3000	3/4-10	3/4	3	4	11/16



**POLY BASE FIXED SOCKET  
LEVELING GLIDES**

The IEC Poly Base Steel and Stainless Steel Fixed Socket Glide is ideal for medium-duty load requirements. A cost-effective socket glide suitable for applications not requiring a swivel base. Features a black polypropylene base and large adjustment hex nut.



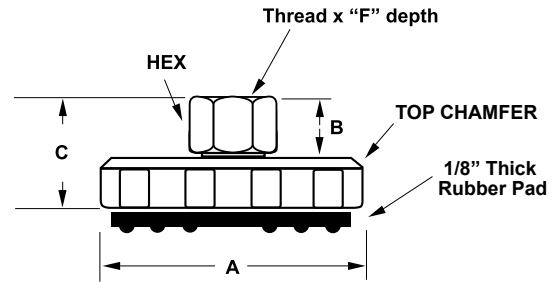
**LOW PROFILE POLY FIXED — SOCKET LEVELERS**

Steel	Stainless	Load	Thread	Hex	A	B	C	F
IL7-4B-T	IL7-4BS-T	100	1/4-20	1/2	1	3/16	5/8	1/4
IL7-5B-T	IL7-5BS-T	500	5/16-18	1/2	1	3/8	3/4	1/4
IL7-6B-T	IL7-6BS-T	1000	3/8-16	1/2	1	1/2	7/8	3/8
IL7-7B-T	IL7-7BS-T	2000	1/2-13	5/8	1	1/2	7/8	3/8
IL7-8B-T	IL7-8BS-T	3000	5/8-11	3/4	1	5/8	1	1/2
IL7-9B-T	IL7-9BS-T	3000	3/4-10	1	1	3/4	1-1/8	5/8
<hr/>								
IL8-4B-T	IL8-4BS-T	100	1/4-20	1/2	1-1/2	3/16	5/8	1/4
IL8-5B-T	IL8-5BS-T	500	5/16-18	1/2	1-1/2	3/8	3/4	1/4
IL8-6B-T	IL8-6BS-T	1000	3/8-16	1/2	1-1/2	1/2	7/8	3/8
IL8-7B-T	IL8-7BS-T	2000	1/2-13	5/8	1-1/2	1/2	7/8	3/8
IL8-8B-T	IL8-8BS-T	3000	5/8-11	3/4	1-1/2	5/8	1	1/2
IL8-9B-T	IL8-9BS-T	3000	3/4-10	1	1-1/2	3/4	1-1/8	5/8
<hr/>								
IL7A-4B-T	IL7A-4BS-T	100	1/4-20	1/2	2	3/16	5/8	1/4
IL7A-5B-T	IL7A-5BS-T	500	5/16-18	1/2	2	3/8	3/4	1/4
IL7A-6B-T	IL7A-6BS-T	1000	3/8-16	1/2	2	1/2	7/8	3/8
IL7A-7B-T	IL7A-7BS-T	2000	1/2-13	5/8	2	1/2	7/8	3/8
IL7A-8B-T	IL7A-8BS-T	3000	5/8-11	3/4	2	5/8	1	1/2
IL7A-9B-T	IL7A-9BS-T	3000	3/4-10	1	2	3/4	1-1/8	5/8
<hr/>								
IL7M-4B-T	IL7M-4BS-T	100	1/4-20	1/2	2-1/2	3/16	5/8	1/4
IL7M-5B-T	IL7M-5BS-T	500	5/16-18	1/2	2-1/2	3/8	3/4	1/4
IL7M-6B-T	IL7M-6BS-T	1000	3/8-16	1/2	2-1/2	1/2	7/8	3/8
IL7M-7B-T	IL7M-7BS-T	2000	1/2-13	5/8	2-1/2	1/2	7/8	3/8
IL7M-8B-T	IL7M-8BS-T	3000	5/8-11	3/4	2-1/2	5/8	1	1/2
IL7M-9B-T	IL7M-9BS-T	3000	3/4-10	1	2-1/2	3/4	1-1/8	5/8
<hr/>								
IL8A-4B-T	IL8A-4BS-T	100	1/4-20	1/2	3	3/16	5/8	1/4
IL8A-5B-T	IL8A-5BS-T	500	5/16-18	1/2	3	3/8	3/4	1/4
IL8A-6B-T	IL8A-6BS-T	1000	3/8-16	1/2	3	1/2	7/8	3/8
IL8A-7B-T	IL8A-7BS-T	2000	1/2-13	5/8	3	1/2	7/8	3/8
IL8A-8B-T	IL8A-8BS-T	3000	5/8-11	3/4	3	5/8	1	1/2
IL8A-9B-T	IL8A-9BS-T	3000	3/4-10	1	3	3/4	1-1/8	5/8



**METRIC POLY BASE FIXED SOCKET LEVELING GLIDES WITH RUBBER PAD**

The IEC *Metric Poly Base Steel and Stainless Steel Fixed Socket Glide with Rubber Pad* is ideal for medium-duty load requirements. The rubber pad provides a non-skid surface protecting feature. A cost-effective socket glide suitable for applications not requiring a swivel base. Features a black polypropylene base and large adjustment hex nut.



Rubber Pad Bottom View

**METRIC POLY FIXED SOCKET LEVELERS WITH RUBBER PAD**

Steel	Stainless	Load	Thread	Hex	A	B	C	F
IL7-M6B-T-P	IL7-M6BS-T-P	100	M6x1	1/2	1	3/16	5/8	1/4
IL7-M8B-T-P	IL7-M8BS-T-P	500	M8x1.25	1/2	1	3/8	3/4	1/4
IL7-M10B-T-P	IL7-M10BS-T-P	1000	M10x1.50	1/2	1	1/2	7/8	3/8
IL7-M12B-T-P	IL7-M12BS-T-P	2000	M12x1.75	5/8	1	1/2	7/8	3/8
IL7-M16B-T-P	IL7-M16BS-T-P	3000	M16x2.00	3/4	1	5/8	1	1/2
IL7-M20B-T-P	IL7-M20BS-T-P	3000	M20x3.00	1	1	3/4	1-1/8	5/8
IL8-M6B-T-P	IL8-M6BS-T-P	100	M6x1	1/2	1-1/2	3/16	5/8	1/4
IL8-M8B-T-P	IL8-M8BS-T-P	500	M8x1.25	1/2	1-1/2	3/8	3/4	1/4
IL8-M10B-T-P	IL8-M10BS-T-P	1000	M10x1.50	1/2	1-1/2	1/2	7/8	3/8
IL8-M12B-T-P	IL8-M12BS-T-P	2000	M12x1.75	5/8	1-1/2	1/2	7/8	3/8
IL8-M16B-T-P	IL8-M16BS-T-P	3000	M16x2.00	3/4	1-1/2	5/8	1	1/2
IL8-M20B-T-P	IL8-M20BS-T-P	3000	M20x3.00	1	1-1/2	3/4	1-1/8	5/8
IL7A-M6B-T-P	IL7A-M6BS-T-P	100	M6x1	1/2	2	3/16	5/8	1/4
IL7A-M8B-T-P	IL7A-M8BS-T-P	500	M8x1.25	1/2	2	3/8	3/4	1/4
IL7A-M10B-T-P	IL7A-M10BS-T-P	1000	M10x1.50	1/2	2	1/2	7/8	3/8
IL7A-M12B-T-P	IL7A-M12BS-T-P	2000	M12x1.75	5/8	2	1/2	7/8	3/8
IL7A-M16B-T-P	IL7A-M16BS-T-P	3000	M16x2.00	3/4	2	5/8	1	1/2
IL7A-M20B-T-P	IL7A-M20BS-T-P	3000	M20x3.00	1	2	3/4	1-1/8	5/8
IL7M-M6B-T-P	IL7M-M6BS-T-P	100	M6x1	1/2	2-1/2	3/16	5/8	1/4
IL7M-M8B-T-P	IL7M-M8BS-T-P	500	M8x1.25	1/2	2-1/2	3/8	3/4	1/4
IL7M-M10B-T-P	IL7M-M10BS-T-P	1000	M10x1.50	1/2	2-1/2	1/2	7/8	3/8
IL7M-M12B-T-P	IL7M-M12BS-T-P	2000	M12x1.75	5/8	2-1/2	1/2	7/8	3/8
IL7M-M16B-T-P	IL7M-M16BS-T-P	3000	M16x2.00	3/4	2-1/2	5/8	1	1/2
IL7M-M20B-T-P	IL7M-M20BS-T-P	3000	M20x3.00	1	2-1/2	3/4	1-1/8	5/8
IL8A-M6B-T-P	IL8A-M6BS-T-P	100	M6x1.0	1/2	3	3/16	5/8	1/4
IL8A-M8B-T-P	IL8A-M8BS-T-P	500	M8x1.25	1/2	3	3/8	3/4	1/4
IL8A-M10B-T-P	IL8A-M10BS-T-P	1000	M10x1.50	1/2	3	1/2	7/8	3/8
IL8A-M12B-T-P	IL8A-M12BS-T-P	2000	M12x1.75	5/8	3	1/2	7/8	3/8
IL8A-M16B-T-P	IL8A-M16BS-T-P	3000	M16x2.00	3/4	3	5/8	1	1/2
IL8A-M20B-T-P	IL8A-M20BS-T-P	3000	M20x3.00	1	3	3/4	1-1/8	5/8





**METRIC POLY BASE FIXED STUD LEVELING GLIDES**

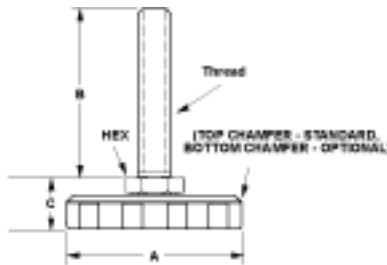
The IEC *Metric Poly Base Steel and Stainless Steel Fixed Stud Glide* offers metric threads and is ideal for medium-duty load requirements. The stud will tilt several degrees under load to adjust for unlevel surfaces. This glide is cost-effective for applications not requiring a swivel base. Zinc plated steel stud and black polypropylene base. Some sizes available with Top-A-Just™ top broached hex, allen drive, (-BR) and top-end external hex (-HX).



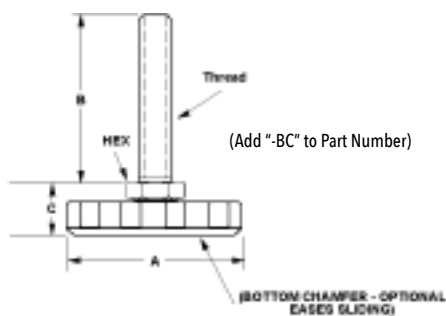
Top-A-Just™ (-BR)



Top-A-Just™ (-HX)



Optional bottom chamfer (reverse assembly) – with 90° top edge



Steel	SS	Load	Thread	Hex	A	B(mm)	C
<b>Metric Poly Base Steel and Stainless Steel Fixed Stud Glides</b>							
IL7-M6Bx25	IL7-M6BSx25	100	M6	1/2	1	25	11/16
IL7-M6Bx38	IL7-M6BSx38	100	M6	1/2	1	38	11/16
IL7-M6Bx51	IL7-M6BSx51	100	M6	1/2	1	51	11/16
IL7-M8Bx38	IL7-M8BSx38	500	M8	1/2	1	38	11/16
IL7-M8Bx51	IL7-M8BSx51	500	M8	1/2	1	51	11/16
IL7-M8Bx62	IL7-M8BSx62	500	M8	1/2	1	62	11/16
IL7-M10Bx38	IL7-M10BSx38	1000	M10	1/2	1	38	11/16
IL7-M10Bx51	IL7-M10BSx51	1000	M10	1/2	1	51	11/16
IL7-M10Bx62	IL7-M10BSx62	1000	M10	1/2	1	62	11/16
IL7-M12Bx38	IL7-M12BSx38	2000	M12	1/2	1	38	11/16
IL7-M12Bx51	IL7-M12BSx51	2000	M12	1/2	1	51	11/16
IL7-M12Bx75	IL7-M12BSx75	2000	M12	1/2	1	75	11/16
IL7-M12Bx102	IL7-M12BSx102	2000	M12	1/2	1	102	11/16
IL7-M16Bx51	IL7-M16BSx51	2500	M16	5/8	1	51	11/16
IL7-M16Bx90-BR	IL7-M16BSx90-BR	2500	M16	5/8	1	90	11/16
IL7-M16Bx102	IL7-M16BSx102	2500	M16	5/8	1	102	11/16
IL7-M16Bx115-BR	IL7-M16BSx115-BR	2500	M16	5/8	1	115	11/16
IL8-M6Bx25	IL8-M6BSx25	100	M6	1/2	1-1/2	25	11/16
IL8-M6Bx38	IL8-M6BSx38	100	M6	1/2	1-1/2	38	11/16
IL8-M6Bx51	IL8-M6BSx51	100	M6	1/2	1-1/2	51	11/16
IL8-M8Bx38	IL8-M8BSx38	500	M8	1/2	1-1/2	38	11/16
IL8-M8Bx51	IL8-M8BSx51	500	M8	1/2	1-1/2	51	11/16
IL8-M8Bx62	IL8-M8BSx62	500	M8	1/2	1-1/2	62	11/16
IL8-M10Bx38	IL8-M10BSx38S	1000	M10	1/2	1-1/2	38	11/16
IL8-M10Bx51	IL8-M10BSx51S	1000	M10	1/2	1-1/2	51	11/16
IL8-M10Bx62	IL8-M10BSx62S	1000	M10	1/2	1-1/2	62	11/16
IL8-M12Bx38	IL8-M12BSx38	2000	M12	1/2	1-1/2	38	11/16
IL8-M12Bx51	IL8-M12BSx51	2000	M12	1/2	1-1/2	51	11/16
IL8-M12Bx75	IL8-M12BSx75	2000	M12	1/2	1-1/2	75	11/16
IL8-M12Bx102	IL8-M12BSx102	2000	M12	1/2	1-1/2	102	11/16
IL8-M16Bx51	IL8-M16BSx51	2500	M16	5/8	1-1/2	51	11/16
IL8-M16Bx90-BR	IL8-M16BSx90-BR	2500	M16	5/8	1-1/2	90	11/16
IL8-M16Bx102	IL8-M16BSx102	2500	M16	5/8	1-1/2	102	11/16
IL8-M16Bx115-BR	IL8-M16BSx115-BR	2500	M16	5/8	1-1/2	115	11/16
IL7A-M6Bx25	IL7A-M6BSx25	100	M6	1/2	2	25	11/16
IL7A-M6Bx38	IL7A-M6BSx38	100	M6	1/2	2	38	11/16
IL7A-M6Bx51	IL7A-M6BSx51	100	M6	1/2	2	51	11/16
IL7A-M8Bx38	IL7A-M8BSx38	500	M8	1/2	2	38	11/16
IL7A-M8Bx51	IL7A-M8BSx51	500	M8	1/2	2	51	11/16
IL7A-M8Bx62	IL7A-M8BSx62	500	M8	1/2	2	62	11/16
IL7A-M10Bx38	IL7A-M10BSx38	1000	M10	1/2	2	38	11/16
IL7A-M10Bx51	IL7A-M10BSx51	1000	M10	1/2	2	51	11/16
IL7A-M10Bx62	IL7A-M10BSx62	1000	M10	1/2	2	62	11/16
IL7A-M12Bx38	IL7A-M12BSx38	2000	M12	1/2	2	38	11/16
IL7A-M12Bx51	IL7A-M12BSx51	2000	M12	1/2	2	51	11/16
IL7A-M12Bx75	IL7A-M12BSx75	2000	M12	1/2	2	75	11/16
IL7A-M12Bx102	IL7A-M12BSx102	2000	M12	1/2	2	102	11/16
IL7A-M16Bx51	IL7A-M16BSx51	2500	M16	5/8	2	51	11/16
IL7A-M16Bx90-BR	IL7A-M16BSx90-BR	2500	M16	5/8	2	90	11/16
IL7A-M16Bx102	IL7A-M16BSx102	2500	M16	5/8	2	102	11/16
IL7A-M16Bx115-BR	IL7A-M16BSx115-BR	2500	M16	5/8	2	115	11/16



**MEDIUM-DUTY LEVELERS**  
**POLY FIXED - METRIC**  
**KNOB STYLE GLIDES**

**METRIC POLY BASE FIXED STUD LEVELING GLIDES**

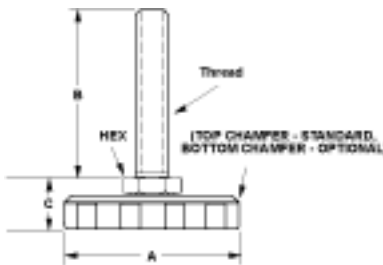
The IEC Metric Poly Base Steel and Stainless Steel Fixed Stud Glide offers metric threads and is ideal for medium-duty load requirements. The stud will tilt several degrees under load to adjust for unlevel surfaces. This glide is cost-effective for applications not requiring a swivel base. Zinc plated steel stud and black polypropylene base. Some sizes available with Top-A-Just™ top broached hex, allen drive, (-BR) and top-end external hex (-HX).



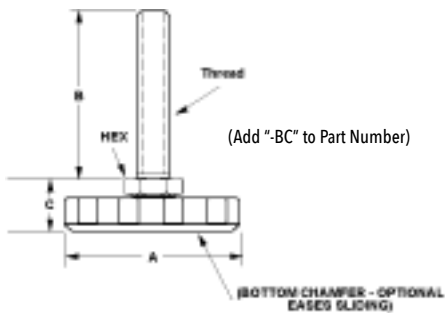
Top-A-Just™(-BR)



Top-A-Just™(-HX)



Optional bottom chamfer (reverse assembly) – with 90° top edge



Steel	SS	Load	Thread	Hex	A	B(mm)	C
<b>Metric Poly Base Steel and Stainless Steel Fixed Stud Glides</b>							
IL7M-M6Bx25	IL7M-M6BSx25	100	M6	1/2	2-1/2	25	11/16
IL7M-M6Bx38	IL7M-M6BSx38	100	M6	1/2	2-1/2	38	11/16
IL7M-M6Bx51	IL7M-M6BSx51	100	M6	1/2	2-1/2	51	11/16
IL7M-M8Bx38	IL7M-M8BSx38	500	M8	1/2	2-1/2	38	11/16
IL7M-M8Bx51	IL7M-M8BSx51	500	M8	1/2	2-1/2	51	11/16
IL7M-M8Bx62	IL7M-M8BSx62	500	M8	1/2	2-1/2	62	11/16
IL7M-M10Bx38	IL7M-M10BSx38	1000	M10	1/2	2-1/2	38	11/16
IL7M-M10Bx51	IL7M-M10BSx51	1000	M10	1/2	2-1/2	51	11/16
IL7M-M10Bx62	IL7M-M10BSx62	1000	M10	1/2	2-1/2	62	11/16
IL7M-M12Bx38	IL7M-M12BSx38	2000	M12	1/2	2-1/2	38	11/16
IL7M-M12Bx51	IL7M-M12BSx51	2000	M12	1/2	2-1/2	51	11/16
IL7M-M12Bx75	IL7M-M12BSx75	2000	M12	1/2	2-1/2	75	11/16
IL7M-M12Bx102	IL7M-M12BSx102	2000	M12	1/2	2-1/2	102	11/16
IL7M-M16Bx51	IL7M-M16BSx51	2500	M16	5/8	2-1/2	51	11/16
IL7M-M16Bx90-BR	IL7M-M16BSx90-BR	2500	M16	5/8	2-1/2	90	11/16
IL7M-M16Bx102	IL7M-M16BSx102	2500	M16	5/8	2-1/2	102	11/16
IL7M-M16Bx115-BR	IL7M-M16BSx115-BR	2500	M16	5/8	2-1/2	115	11/16
IL8A-M6Bx25	IL8A-M6BSx25	100	M6	1/2	3	25	11/16
IL8A-M6Bx38	IL8A-M6BSx38	100	M6	1/2	3	38	11/16
IL8A-M6Bx51	IL8A-M6BSx51	100	M6	1/2	3	51	11/16
IL8A-M8Bx38	IL8A-M8BSx38	500	M8	1/2	3	38	11/16
IL8A-M8Bx51	IL8A-M8BSx51	500	M8	1/2	3	51	11/16
IL8A-M8Bx62	IL8A-M8BSx62	500	M8	1/2	3	62	11/16
IL8A-M10Bx38	IL8A-M10BSx38	1000	M10	1/2	3	38	11/16
IL8A-M10Bx51	IL8A-M10BSx51	1000	M10	1/2	3	51	11/16
IL8A-M10Bx62	IL8A-M10BSx62	1000	M10	1/2	3	62	11/16
IL8A-M12Bx38	IL8A-M12BSx38	2000	M12	1/2	3	38	11/16
IL8A-M12Bx51	IL8A-M12BSx51	2000	M12	1/2	3	51	11/16
IL8A-M12Bx75	IL8A-M12BSx75	2000	M12	1/2	3	75	11/16
IL8A-M12Bx102	IL8A-M12BSx102	2000	M12	1/2	3	102	11/16
IL8A-M16Bx51	IL8A-M16BSx51	2500	M16	5/8	3	51	11/16
IL8A-M16Bx90-BR	IL8A-M16BSx90-BR	2500	M16	5/8	3	90	11/16
IL8A-M16Bx102	IL8A-M16BSx102	2500	M16	5/8	3	102	11/16
IL8A-M16Bx115-BR	IL8A-M16BSx115-BR	2500	M16	5/8	3	115	11/16

**KNOB STYLE SOCKET TYPE GLIDES (LEVELERS/KNOB)**

These low-profile polypropylene levelers/knobs are designed for use with socket head allen bolts or threaded rod of various lengths. They are available with three different female thread types: brass insert (-BI), steel hex nut (-HN), or threads molded directly into the polypropylene (-MT). The height of all base sizes is 3/8" thick. The PVC base is a flexible, non-skid and non-marring, rubber-like material.



PN (brass)	PN (hex nut)	PN(molded)	Thread	Base Dia.	Load (lbs.)
IL83-4B-BI	IL83-4B-HN	IL83-4B-MT	1/4-20	1-1/2	100
IL83-5B-BI	IL83-5B-HN	IL83-5B-MT	5/16-18	1-1/2	250
IL83-6B-BI	IL83-6B-HN	IL83-6B-MT	3/8-16	1-1/2	250
IL85-4B-BI	IL85-4B-HN	IL85-4B-MT	1/4-20	2	100
IL85-5B-BI	IL85-5B-HN	IL85-5B-MT	5/16-18	2	250
IL85-6B-BI	IL85-6B-HN	IL85-6B-MT	3/8-16	2	250
IL87-4B-BI	IL87-4B-HN	IL87-4B-MT	1/4-20	2-1/2	100
IL87-5B-BI	IL87-5B-HN	IL87-5B-MT	5/16-18	2-1/2	250
IL87-6B-BI	IL87-6B-HN	IL87-6B-MT	3/8-16	2-1/2	250
IL89-4B-BI	IL89-4B-HN	IL89-4B-MT	1/4-20	3	100
IL89-5B-BI	IL89-5B-HN	IL89-5B-MT	5/16-18	3	250
IL89-6B-BI	IL89-6B-HN	IL89-6B-MT	3/8-16	3	250
PN (PVC)	Thread	Base Dia.	Load (lbs.)		
IL83-4B-HN-PVC	1/4-20	1-1/2	75		
IL83-5B-HN-PVC	5/16-18	1-1/2	75		
IL83-6B-HN-PVC	3/8-16	1-1/2	75		